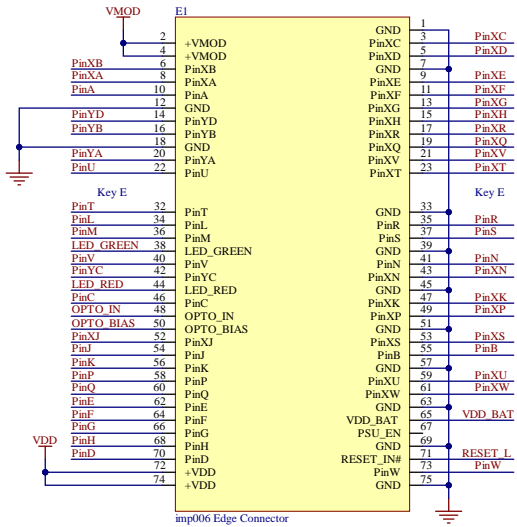


NGFF Key E Edge connector



Copyright © 2020, Twilio Inc.


Permission is hereby granted, free of charge, to any person obtaining a copy of this work and associated documentation file (the "Work"), to deal in the Work without restriction, including without limitation the rights to use, copy, modify, merge, publish, distribute, sublicense, and/or sell copies of the Work, and to permit persons to whom the Work is furnished to do so, subject to the following conditions:

The above copyright notice and this permission notice shall be included in all copies or substantial portions of the Work.

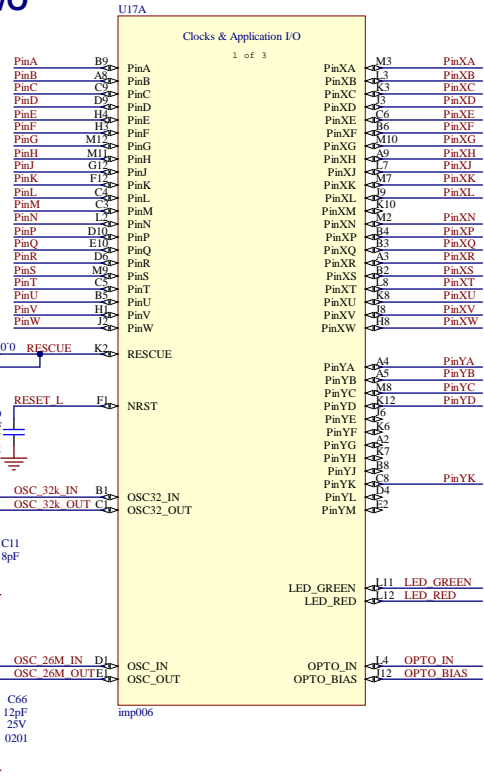
THE WORK IS PROVIDED "AS IS", WITHOUT WARRANTY OF ANY KIND, EXPRESS OR IMPLIED, INCLUDING BUT NOT LIMITED TO THE WARRANTIES OF MERCHANTABILITY, FITNESS FOR A PARTICULAR PURPOSE AND NONINFRINGEMENT. IN NO EVENT SHALL THE AUTHORS OR COPYRIGHT HOLDERS BE LIABLE FOR ANY CLAIM, DAMAGES OR OTHER LIABILITY WHETHER IN AN ACTION OF CONTRACT, TORT OR OTHERWISE, ARISING FROM, OUT OF OR IN CONNECTION WITH THE WORK OR THE USE OR OTHER DEALINGS IN THE WORK.

Design: imp006-m2	Rev: 1.0	Twilio 375 Beale St Suite 300, San Francisco, CA, 94105
Sheet: 1 of 3	Date: 10/11/2020	Time: 10:59:52

File: Z:\eh-hardware\imp006\imp006-m2\imp006-m2-EdgeConnector.SchDoc

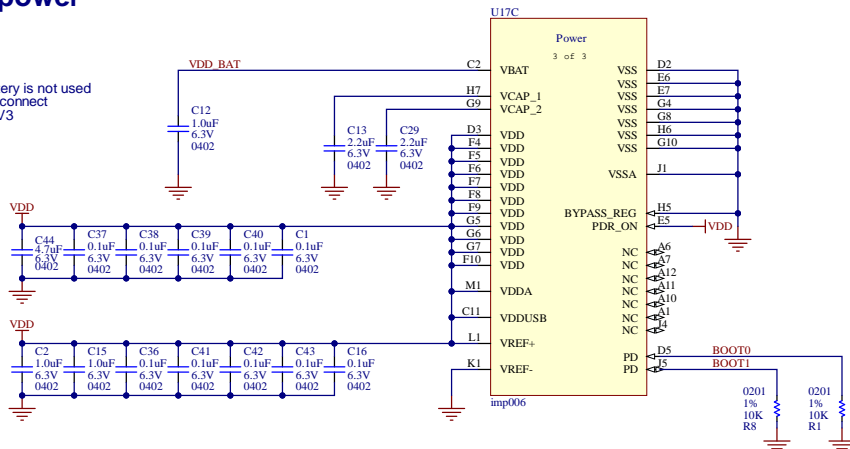


imp006 clocks & application I/O



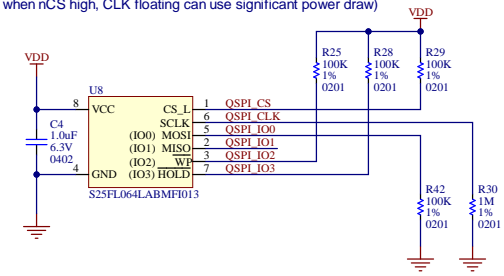
imp006 power

If a backup battery is not used in your design, connect VDD_BAT to 3V3

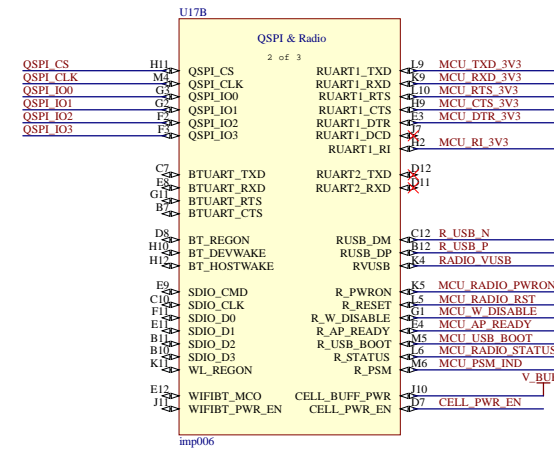


QSPI flash

Pulldown on QSPI_CLK reduces power on some flash devices (even when nCS high, CLK floating can use significant power draw)



QSPI and radio connections



Copyright © 2020, Twilio Inc.

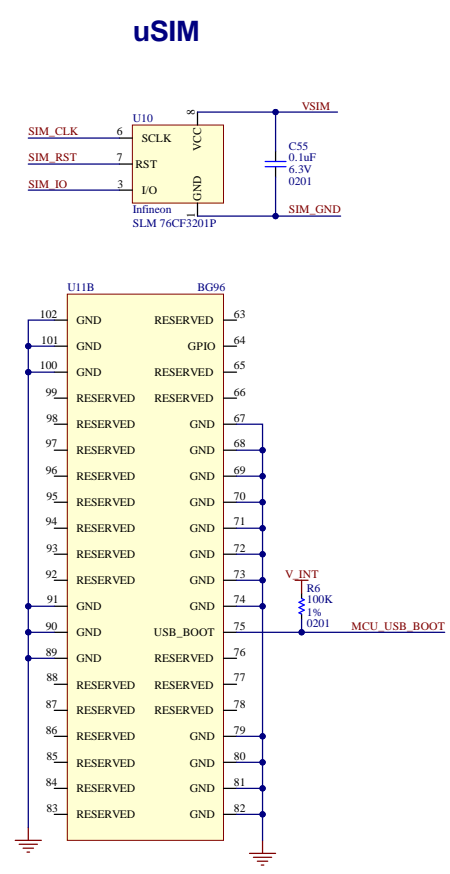
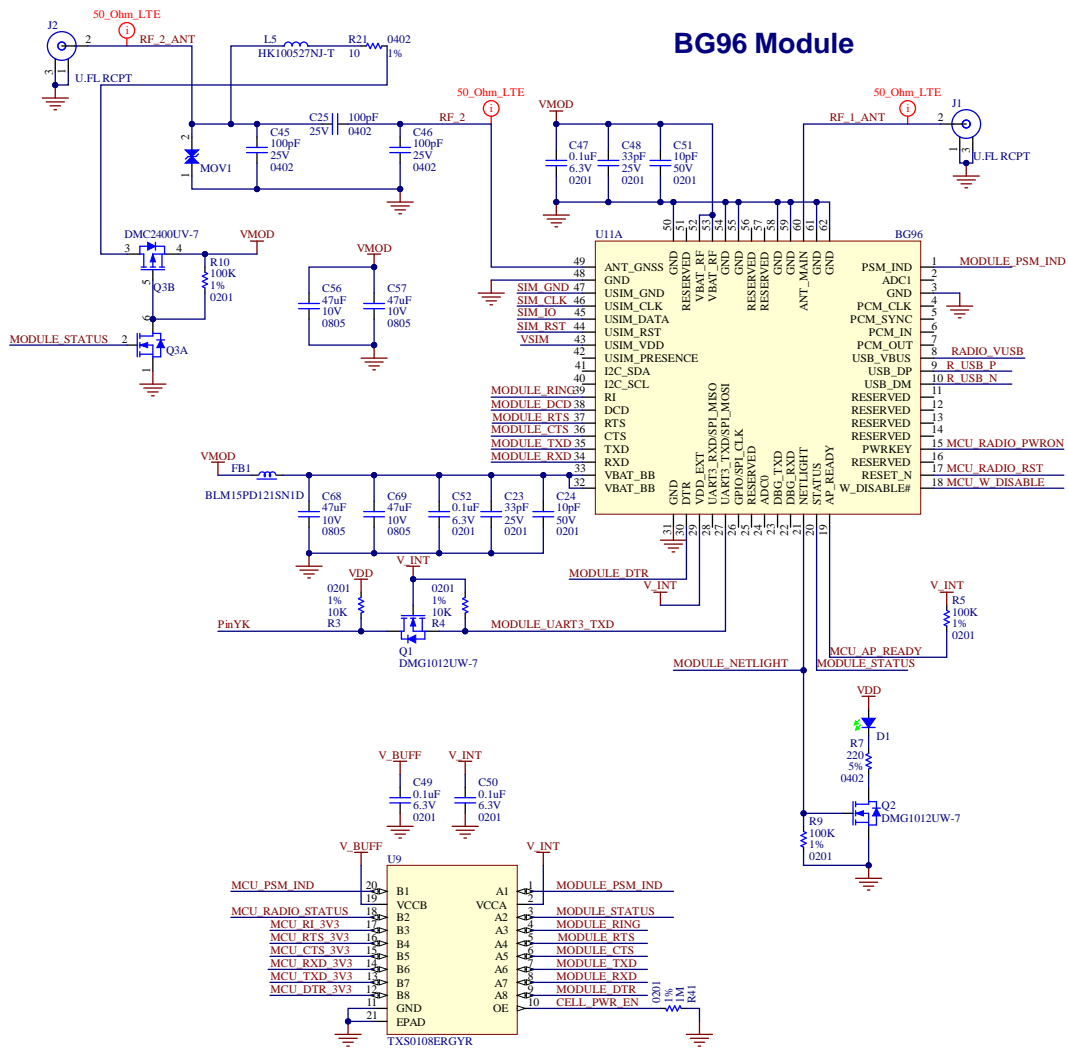
Permission is hereby granted, free of charge, to any person obtaining a copy of this work and associated documentation file s (the "Work"), to deal in the Work without restriction, including without limitation the rights to use, copy, modify, merge, publish, distribute, sublicense, and/or sell copies of the Work, and to permit persons to whom the Work is furnished to do so, subject to the following conditions:

The above copyright notice and this permission notice shall be included in all copies or substantial portions of the Work.

THE WORK IS PROVIDED "AS IS", WITHOUT WARRANTY OF ANY KIND, EXPRESS OR IMPLIED, INCLUDING BUT NOT LIMITED TO THE WARRANTIES OF MERCHANTABILITY, FITNESS FOR A PARTICULAR PURPOSE AND NONINFRINGEMENT. IN NO EVENT SHALL THE AUTHORS OR COPYRIGHT HOLDERS BE LIABLE FOR ANY CLAIM, DAMAGES OR OTHER LIABILITY WHETHER IN AN ACTION OF CONTRACT, TORT OR OTHERWISE, ARISING FROM, OUT OF OR IN CONNECTION WITH THE WORK OR THE USE OR OTHER DEALINGS IN THE WORK.

Design: **imp006-m2** Rev: **1.0** Twilio
375 Beale St Suite 300,
San Francisco, CA, 94105
Sheet: 2 of 3 Date: 10/11/2020 Time: 10:59:52
File: Z:\ai-hardware\imp006\imp006-m2\imp006-m2-MCU.SchDoc





Copyright © 2020, Twilio Inc.

Permission is hereby granted, free of charge, to any person obtaining a copy of this work and associated documentation file s (the "Work"), to deal in the Work without restriction, including without limitation the rights to use, copy, modify, merge, publish, distribute, sublicense, and/or sell copies of the Work, and to permit persons to whom the Work is furnished to do so, subject to the following conditions:

The above copyright notice and this permission notice shall be included in all copies or substantial portions of the Work.

THE WORK IS PROVIDED "AS IS", WITHOUT WARRANTY OF ANY KIND, EXPRESS OR IMPLIED, INCLUDING BUT NOT LIMITED TO THE WARRANTIES OF MERCHANTABILITY, FITNESS FOR A PARTICULAR PURPOSE AND NONINFRINGEMENT. IN NO EVENT SHALL THE AUTHORS OR COPYRIGHT HOLDERS BE LIABLE FOR ANY CLAIM, DAMAGES OR OTHER LIABILITY WHETHER IN AN ACTION OF CONTRACT, TORT OR OTHERWISE, ARISING FROM, OUT OF OR IN CONNECTION WITH THE WORK OR THE USE OR OTHER DEALINGS IN THE WORK.

Design: imp006-m2	Rev: 1.0	Twilio 375 Beale St Suite 300, San Francisco, CA, 94105
Sheet: 3 of 3	Date: 10/11/2020	Time: 10:59:53
File: Z:\ai-hardware\imp006\imp006-m2\imp006-m2-BG96.SchDoc		