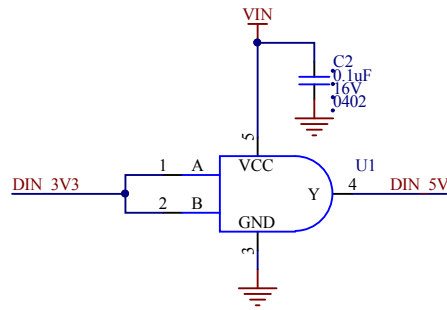
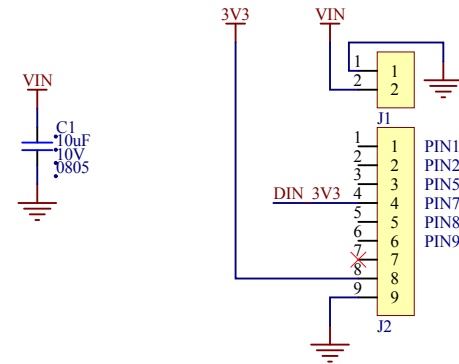


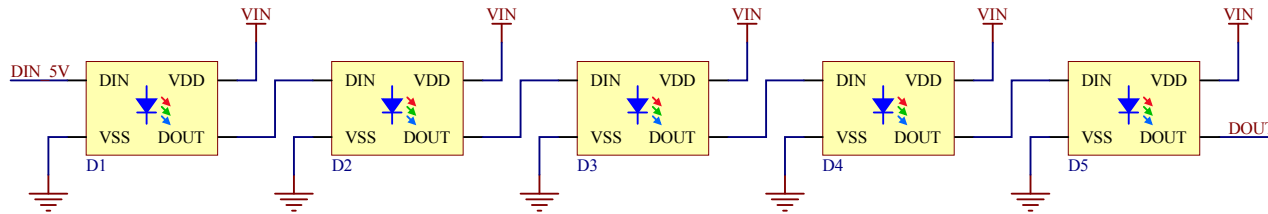
Level Translation



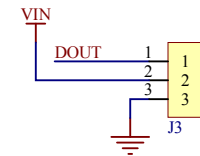
April Connector



Neopixels (WS2812B)



Expansion Header



Copyright © 2014, Electric Imp Inc.

Permission is hereby granted, free of charge, to any person obtaining a copy of this work and associated documentation files (the "Work"), to deal in the Work without restriction, including without limitation the rights to use, copy, modify, merge, publish, distribute, sublicense, and/or sell copies of the Work, and to permit persons to whom the Work is furnished to do so, subject to the following conditions:

The above copyright notice and this permission notice shall be included in all copies or substantial portions of the Work.

THE WORK IS PROVIDED "AS IS", WITHOUT WARRANTY OF ANY KIND, EXPRESS OR IMPLIED, INCLUDING BUT NOT LIMITED TO THE WARRANTIES OF MERCHANTABILITY, FITNESS FOR A PARTICULAR PURPOSE AND NONINFRINGEMENT. IN NO EVENT SHALL THE AUTHORS OR COPYRIGHT HOLDERS BE LIABLE FOR ANY CLAIM, DAMAGES OR OTHER LIABILITY, WHETHER IN AN ACTION OF CONTRACT, TORT OR OTHERWISE, ARISING FROM, OUT OF OR IN CONNECTION WITH THE WORK OR THE USE OR OTHER DEALINGS IN THE WORK.

Design: Neopixel Tail	Rev: 1.0
Sheet: * of * Date: 3/20/2015 Time: 2:07:06 PM	Electric Imp 5050 El Camino Real, #221 Los Altos, CA 94022
File: Z:\el-hardware\tails\neopixel-tail\neopixel-tail.SchDoc	



Designator	Quantity	Description	Manufacturer	Manufacturer Part Number
C1	1	CAP,X5R,10uF,10%,10V, 0805	Taiyo Yuden	LMK212BJ106KG-T
C2	1	CAP,X7R,0.1uF,10%,16V,0402,#	Samsung	CL05B104KO5NNNC
D1, D2, D3, D4, D5	5	LED, RGB, w/ Integrated Driver, 5.0V, SMT	World Semi	WS2812B
J1	1	SKT, 1x2 Pin, 2.54mm Pitch, Tin, Right Angle, TH	Sullins	PPTC021LGBN-RC
J2	1	SKT, 1x9 Pin, 2.54mm Pitch, Tin, Right Angle, TH	Sullins	PPTC091LGBN-RC
J3	1	HDR, 1x3 Pin, 2.54mm Pitch, Gold Flash, Vertical, TH	FCI	68000-403HLF
U1	1	IC, Logic, 2-Input AND, Level Translating, SOT-353	Diodes Inc.	74AHCT1G08SE-7