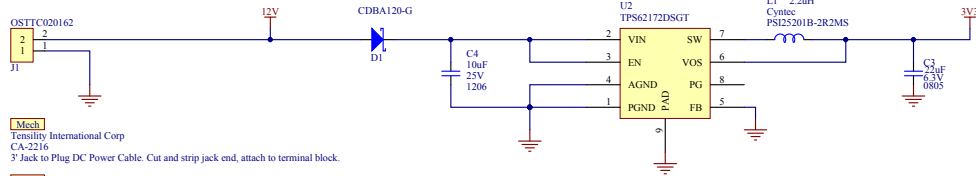


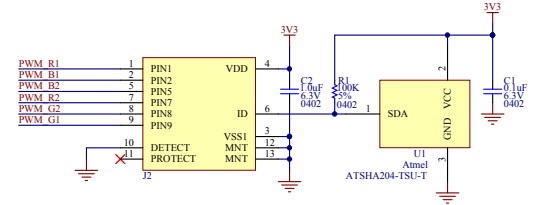
## 12V Input and 3V3 Power Supply



**Mech**  
Tensility International Corp  
CA-2216  
3' Jack to Plug DC Power Cable. Cut and strip jack end, attach to terminal block.

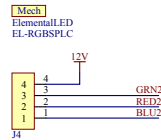
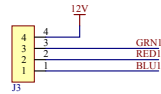
**Mech**  
CUI  
EPSA120200U-PSRP-SZ  
Wall Mount 12VDC, 2A Power Supply  
FET Driver section is capable of switching up to 5A over six channels.

## Imp Slot and ID Chip



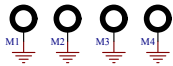
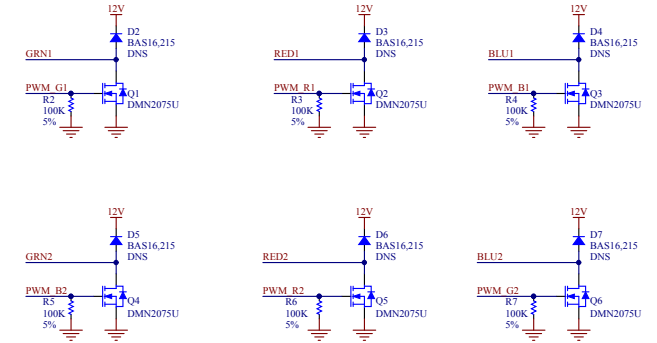
## 4-Pin Headers

**Mech**  
ElementalLED  
EL-RGBSPLC  
4-connector LED strip light wiring harness splice cable pair  
Attach shrouded male pin connector cables to sockets J3, J4 according to silkscreen



## FET Drivers

Diodes D2-D7 are included for over-voltage protection on Q1-Q6 and are needed only if driving an inductive load.



Copyright © 2013, Electric Imp Inc.

Permission is hereby granted, free of charge, to any person obtaining a copy of this work and associated documentation files (the "Work"), to deal in the Work without restriction, including without limitation the rights to use, copy, modify, merge, publish, distribute, sublicense, and/or sell copies of the Work, and to permit persons to whom the Work is furnished to do so, subject to the following conditions:

The above copyright notice and this permission notice shall be included in all copies or substantial portions of the Work.

THE WORK IS PROVIDED "AS IS", WITHOUT WARRANTY OF ANY KIND, EXPRESS OR IMPLIED, INCLUDING BUT NOT LIMITED TO THE WARRANTIES OF MERCHANTABILITY, FITNESS FOR A PARTICULAR PURPOSE AND NONINFRINGEMENT. IN NO EVENT SHALL THE AUTHORS OR COPYRIGHT HOLDERS BE LIABLE FOR ANY CLAIM, DAMAGES OR OTHER LIABILITY, WHETHER IN AN ACTION OF CONTRACT, TORT OR OTHERWISE, ARISING FROM, OUT OF OR IN CONNECTION WITH THE WORK OR THE USE OR OTHER DEALINGS IN THE WORK.

Design: **Impee Quinn - PWM Driver** Rev: **2.0** Electric Imp  
5050 El Camino Real, #221  
Los Altos, CA 94022

Sheet: 1 of 1 Date: 10/30/2013 Time: 12:17:36 PM  
File: Z:\ei-hardware\impee-quinn\impee-quinn.SchDoc

