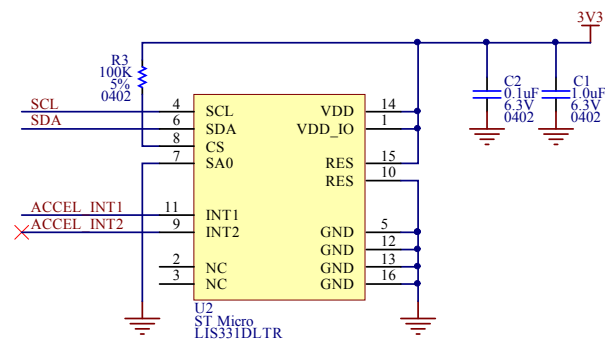
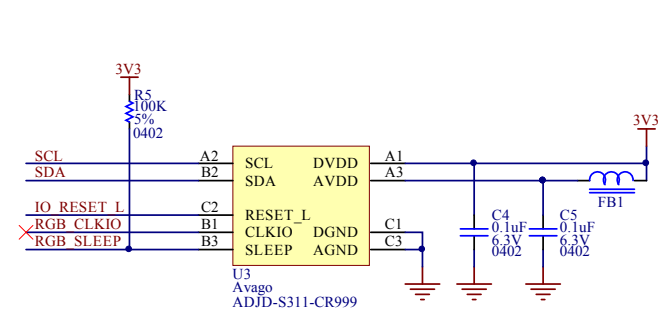


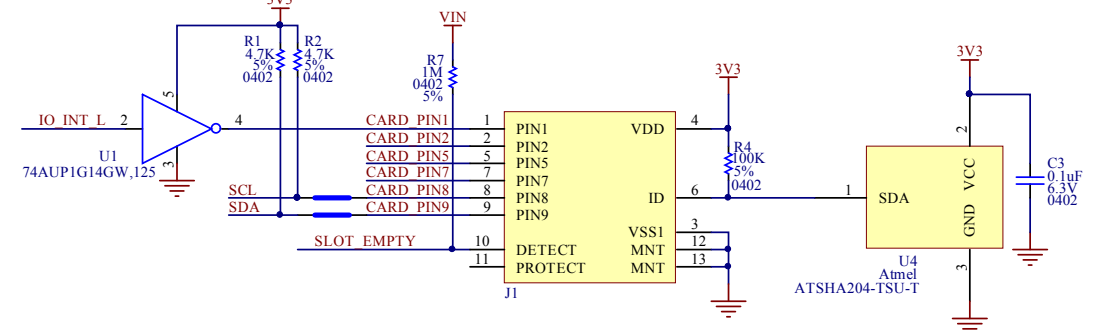
3-Axis Accelerometer



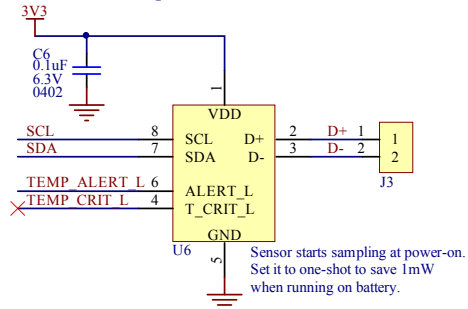
RGB Light Sensor



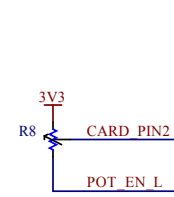
Imp Slot and ID Chip



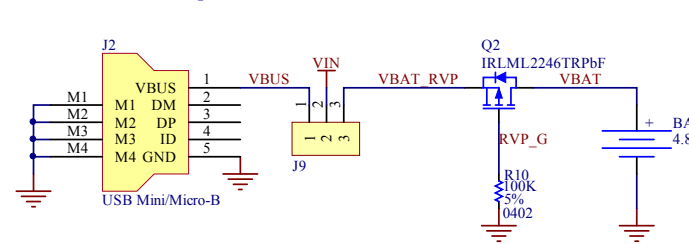
Temperature Sensor



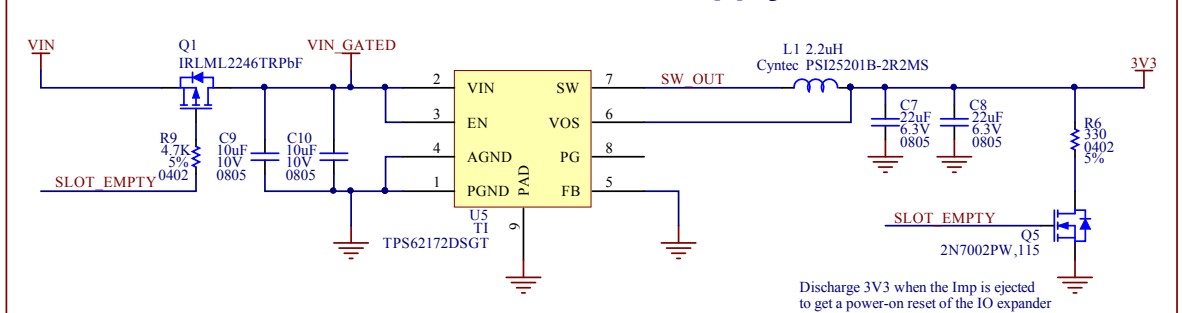
Potentiometer



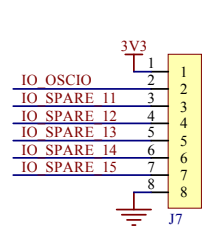
Input Power Select



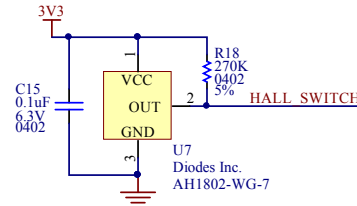
3V3 Buck Power Supply



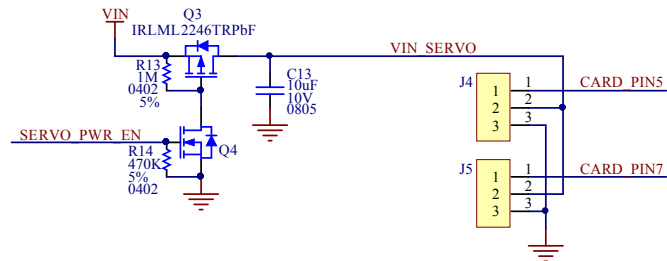
GPIO Breakout



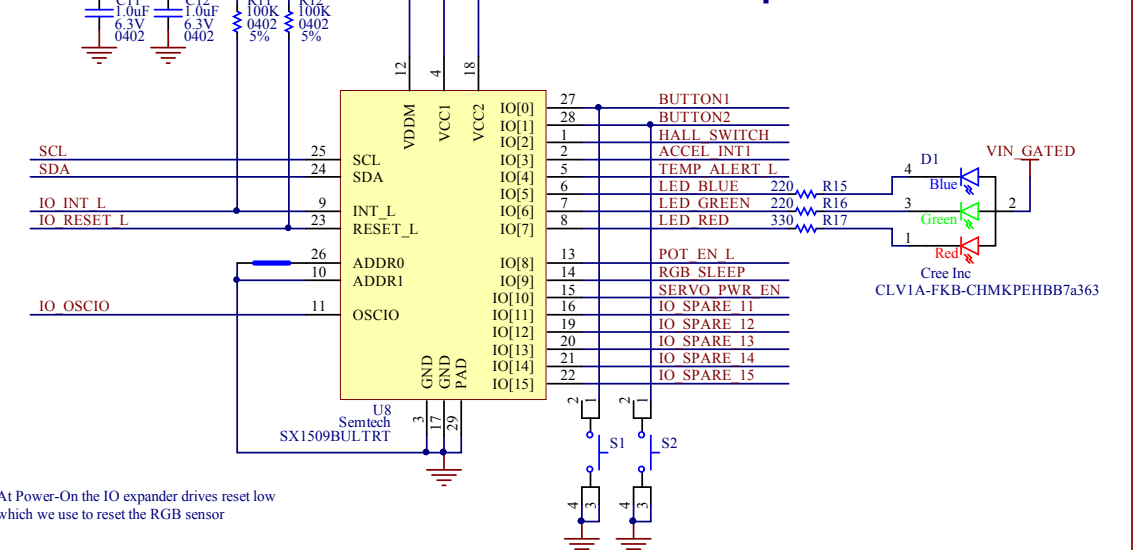
Hall Switch



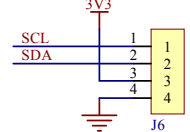
Servo Headers



I2C IO Expander



I2C Breakout



Mounting Holes

