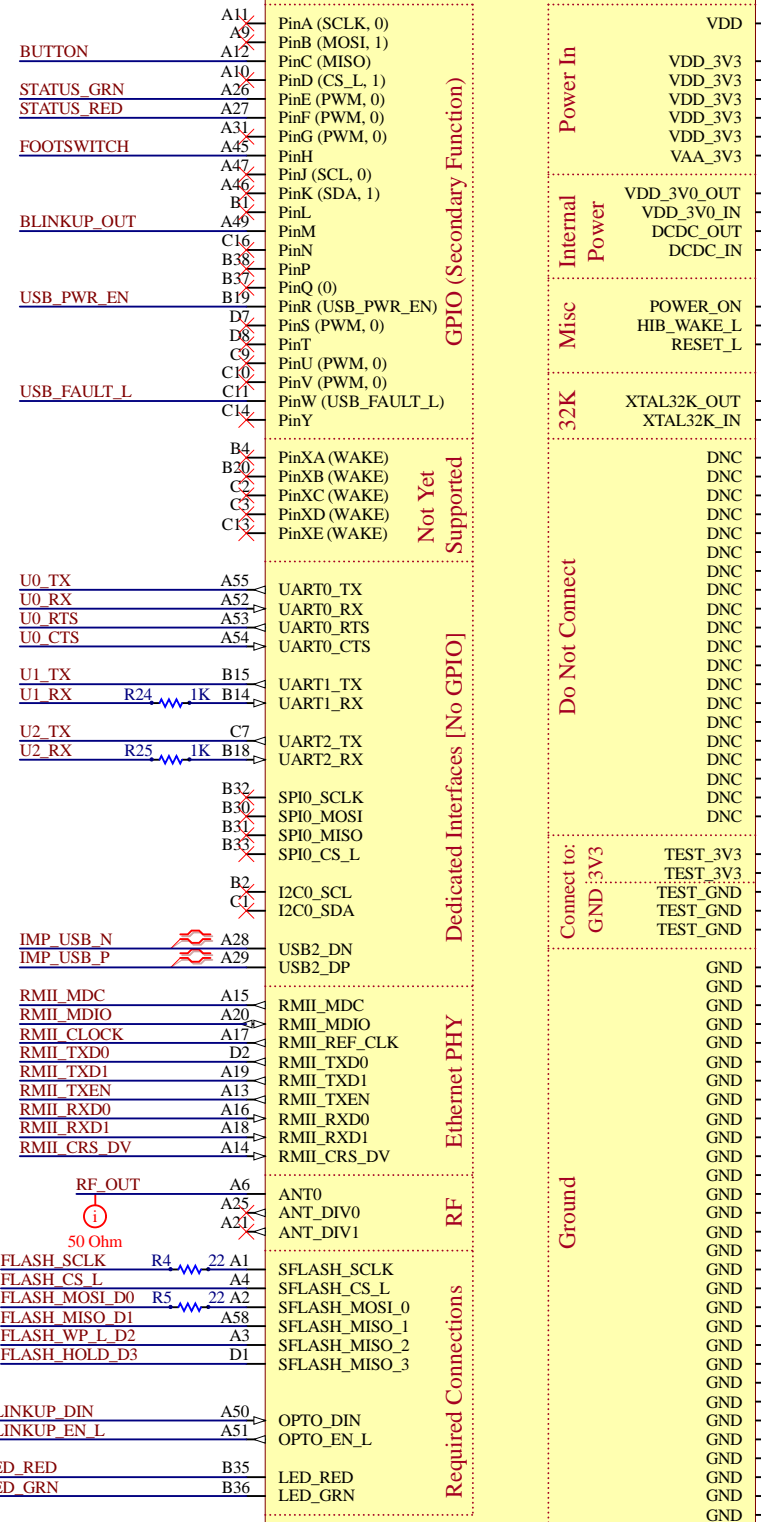
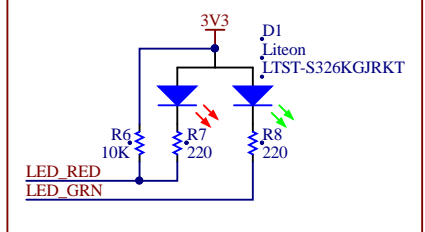


# imp005 Module

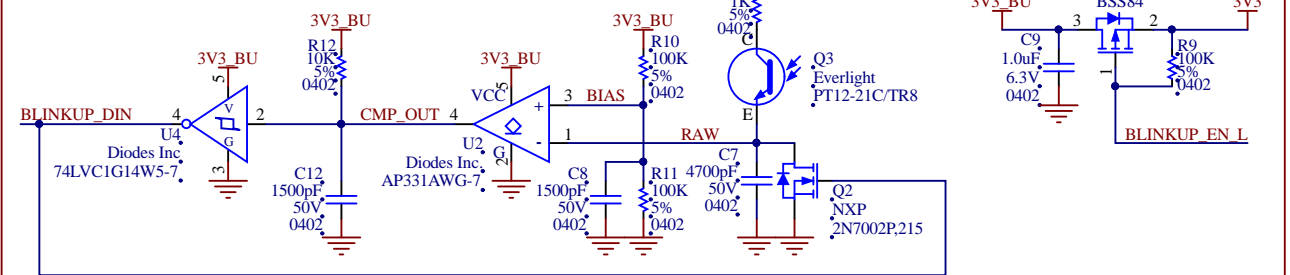


U1  
Murata  
LBWA1UZ1GC-901

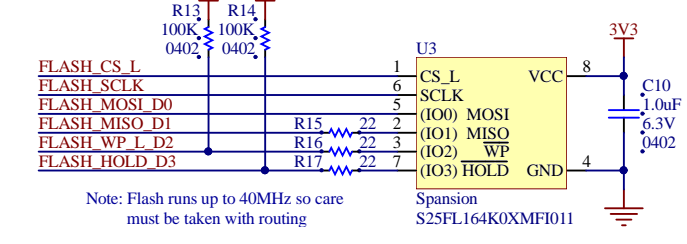
## BlinkUp Status LEDs



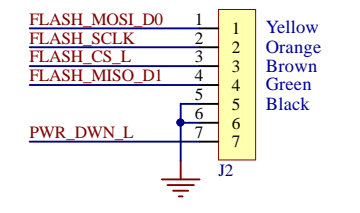
## Free Run Digital BlinkUp



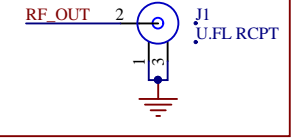
## QSPI Flash



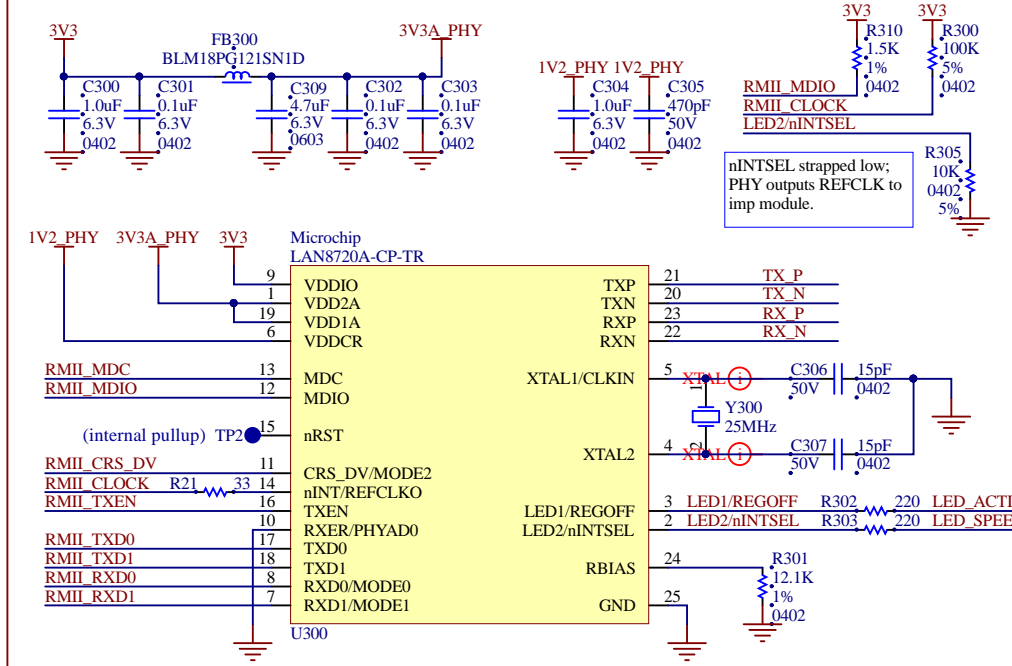
## Programming Header



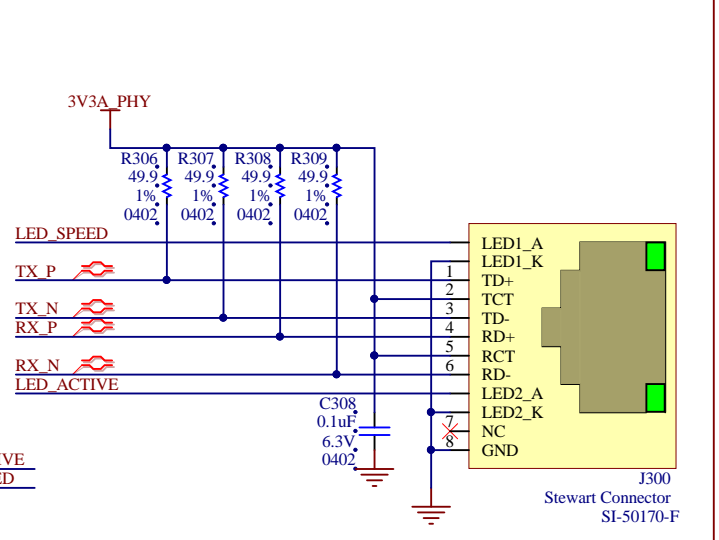
## U.FL Connector



## RMII PHY



## Ethernet Jack (Integrated Magnetics)



Copyright © 2016, Electric Imp Inc.

Permission is hereby granted, free of charge, to any person obtaining a copy of this work and associated documentation files (the "Work"), to deal in the Work without restriction, including without limitation the rights to use, copy, modify, merge, publish, distribute, sublicense, and/or sell copies of the Work, and to permit persons to whom the Work is furnished to do so, subject to the following conditions:

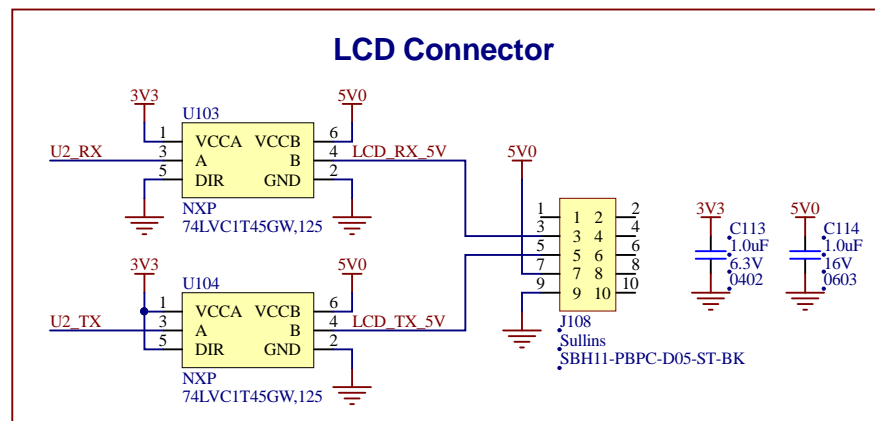
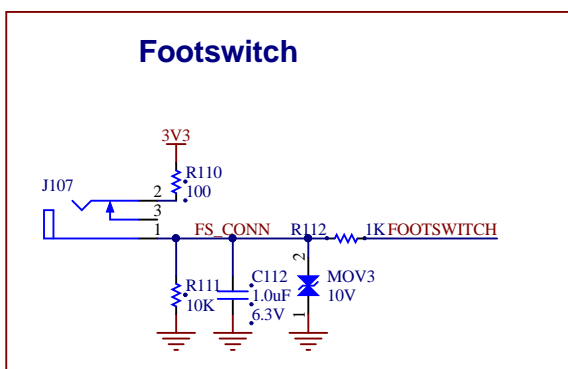
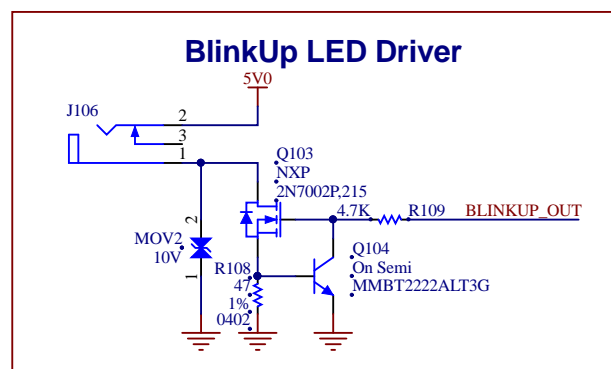
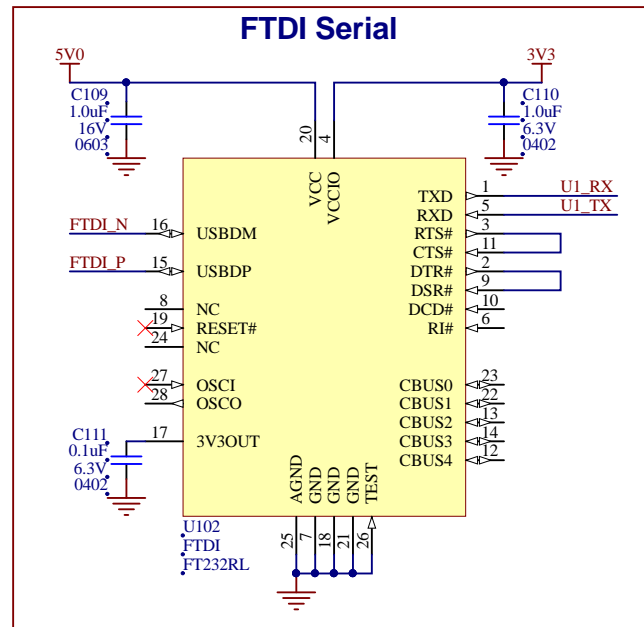
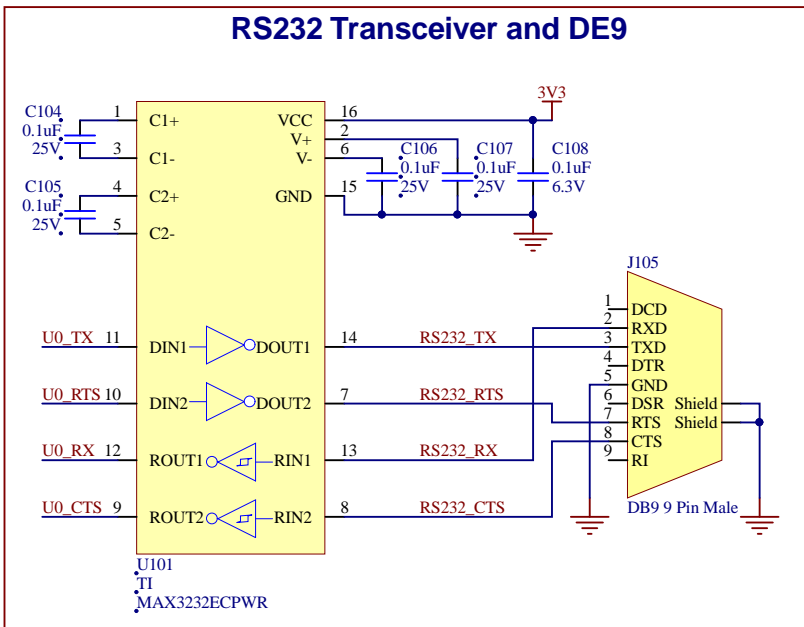
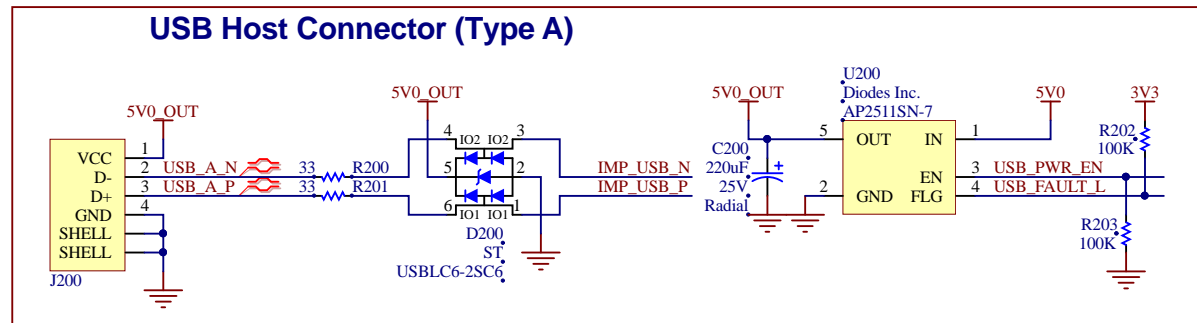
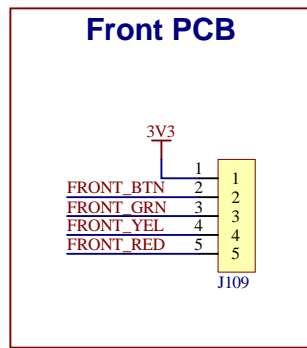
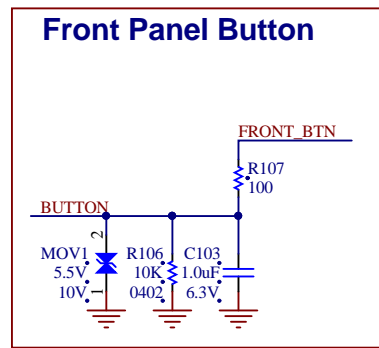
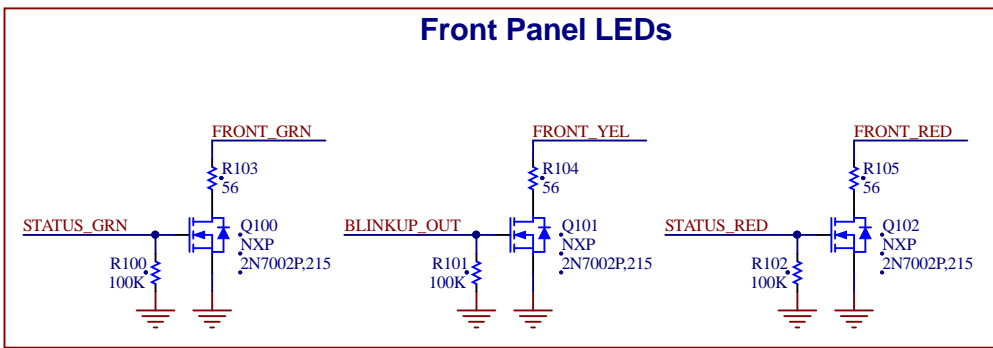
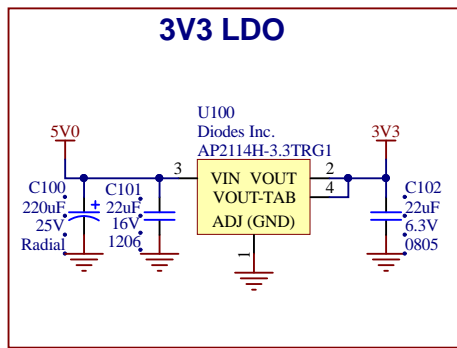
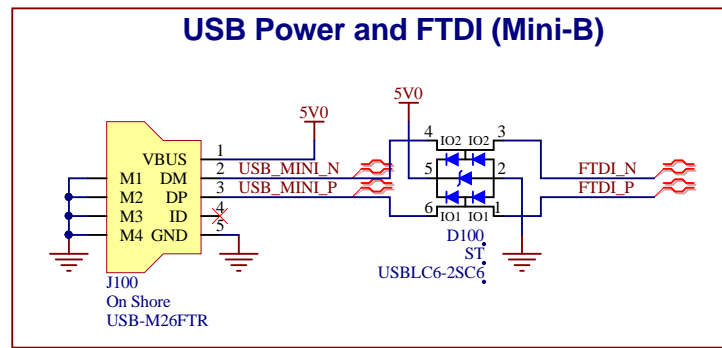
The above copyright notice and this permission notice shall be included in all copies or substantial portions of the Work.

THE WORK IS PROVIDED "AS IS", WITHOUT WARRANTY OF ANY KIND, EXPRESS OR IMPLIED, INCLUDING BUT NOT LIMITED TO THE WARRANTIES OF MERCHANTABILITY, FITNESS FOR A PARTICULAR PURPOSE AND NONINFRINGEMENT. IN NO EVENT SHALL THE AUTHORS OR COPYRIGHT HOLDERS BE LIABLE FOR ANY CLAIM, DAMAGES OR OTHER LIABILITY, WHETHER IN AN ACTION OF CONTRACT, TORT OR OTHERWISE, ARISING FROM, OUT OF OR IN CONNECTION WITH THE WORK OR THE USE OR OTHER DEALINGS IN THE WORK.

Design: **factory-blinkup-box005** Rev: **1.0** Electric Imp  
5150 El Camino Real, Ste C-31  
Los Altos, CA 94022

Sheet: 1 of 2 Date: 3/31/2016 Time: 4:53:53 PM  
File: Z:\ei-hardware\misc\factory-blinkup-box005\factory-blinkup-box005-mp\_SchDoc

electric imp



### Mechanical

	Hex Nut	Spacer	Washer	Mounting Screw	Thread Forming Panel Screw	Antenna
Enclosure	Mech Context Engineering 6016H-8.5N	Mech McMaster-Carr 90695A031	Mech McMaster-Carr 94669A612	Mech McMaster-Carr 90965A115	Mech McMaster-Carr 91290A053	Mech McMaster-Carr 94209A485
Front Button	Mech Apem IAR3F1300	Mech McMaster-Carr 90695A031	Mech McMaster-Carr 94669A612	Mech McMaster-Carr 90965A115	Mech McMaster-Carr 91290A053	Mech McMaster-Carr 94209A485
LCD	Mech Crystalfontz CFA533-TFH-KL	Mech McMaster-Carr 90695A031	Mech McMaster-Carr 94669A612	Mech McMaster-Carr 90965A115	Mech McMaster-Carr 91290A053	Mech McMaster-Carr 94209A485
LCD Cable	Mech Assmann HKC10H/AE10G/HKC10H	Mech McMaster-Carr 90695A031	Mech McMaster-Carr 94669A612	Mech McMaster-Carr 90965A115	Mech McMaster-Carr 91290A053	Mech McMaster-Carr 94209A485

Copyright © 2016, Electric Imp Inc.

Permission is hereby granted, free of charge, to any person obtaining a copy of this work and associated documentation files (the "Work"), to deal in the Work without restriction, including without limitation the rights to use, copy, modify, merge, publish, distribute, sublicense, and/or sell copies of the Work, and to permit persons to whom the Work is furnished to do so, subject to the following conditions:

The above copyright notice and this permission notice shall be included in all copies or substantial portions of the Work.

THE WORK IS PROVIDED "AS IS", WITHOUT WARRANTY OF ANY KIND, EXPRESS OR IMPLIED, INCLUDING BUT NOT LIMITED TO THE WARRANTIES OF MERCHANTABILITY, FITNESS FOR A PARTICULAR PURPOSE AND NON-INFRINGEMENT. IN NO EVENT SHALL THE AUTHORS OR COPYRIGHT HOLDERS BE LIABLE FOR ANY CLAIM, DAMAGES OR OTHER LIABILITY, WHETHER IN AN ACTION OF CONTRACT, TORT OR OTHERWISE, ARISING FROM, OUT OF OR IN CONNECTION WITH THE WORK OR THE USE OR OTHER DEALINGS IN THE WORK.

Design: **factory-blinkup-box005** Rev: **1.0** Electric Imp  
5150 El Camino Real, Ste C-31  
Los Altos, CA 94022

Sheet: 2 of 2 Date: 3/31/2016 Time: 4:53:53 PM  
File: Z:\ei-hardware\misc\factory-blinkup-box005\factory-blinkup-box005-connectors.SchDoc

