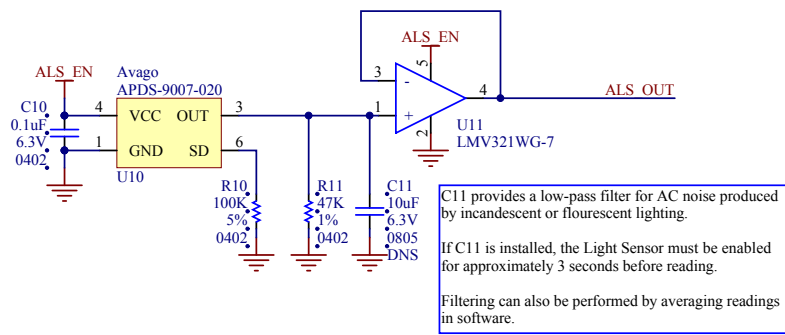
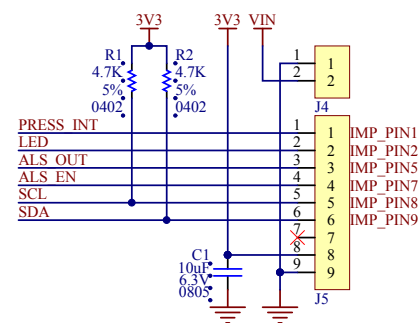


Ambient Light Sensor

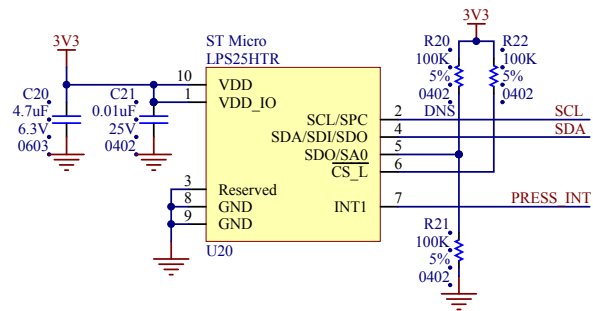


April Connector



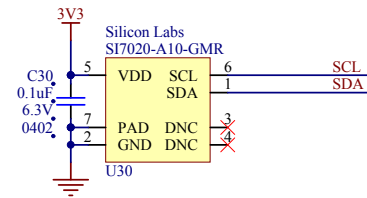
Air Pressure Sensor

8-bit Address 0xB8

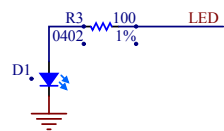


Humidity/Temperature Sensor

8-bit Address 0x80



LED



Copyright © 2014, Electric Imp Inc.

Permission is hereby granted, free of charge, to any person obtaining a copy of this work and associated documentation files (the "Work"), to deal in the Work without restriction, including without limitation the rights to use, copy, modify, merge, publish, distribute, sublicense, and/or sell copies of the Work, and to permit persons to whom the Work is furnished to do so, subject to the following conditions:

The above copyright notice and this permission notice shall be included in all copies or substantial portions of the Work.

THE WORK IS PROVIDED "AS IS", WITHOUT WARRANTY OF ANY KIND, EXPRESS OR IMPLIED, INCLUDING BUT NOT LIMITED TO THE WARRANTIES OF MERCHANTABILITY, FITNESS FOR A PARTICULAR PURPOSE AND NONINFRINGEMENT. IN NO EVENT SHALL THE AUTHORS OR COPYRIGHT HOLDERS BE LIABLE FOR ANY CLAIM, DAMAGES OR OTHER LIABILITY, WHETHER IN AN ACTION OF CONTRACT, TORT OR OTHERWISE, ARISING FROM, OUT OF OR IN CONNECTION WITH THE WORK OR THE USE OR OTHER DEALINGS IN THE WORK.

Design: Env Sensor Tail	Rev: 2.0	Electric Imp 5050 El Camino Real, #221 Los Altos, CA 94022
Sheet: * of *	Date: 11/11/2014 Time: 6:08:35 PM	
File: Z:\ei-hardware\tail\env-sensor-tail\env-sensor-tail.SchDoc		

